

Yilida Air Conditioning Ventilation Technical Manual

Direct Driven

Zhejiang Yilida Ventilator Co., Ltd.

002686

Yilida Road, Hengjie, Luqiao District, Taizhou City, Zhejiang, China P.C: 318056

Tel : +86 576 82656000 +86 576 82658900

Fax : +86 576 82655758

E-mail : info@yilida.com

Hot Line () : 400 1135 666 International Trade () : +86 576 82622666 www.yilida.com

Version Number: A202012 The rights of final interpretation of this brochure belongs to Yilida.

© 2020 All Rights Reserved by Yilida

: A202012

© 2020

Yilida[®]

The Smart Air

The SYP Series Centrifugal Fan 003-030

The SYZ Series Centrifugal Fan 031-061

The SYB Series Centrifugal Fan 062 -102

The SYBS Series Centrifugal Fan 103-114



Summary

SYP

130~250mm 250m³/h~3000m³/h
55%

Construction of Product

SYP

1.

1. Housing

2.

2. Wheel

ANSI/MCA - 204
G 2.5

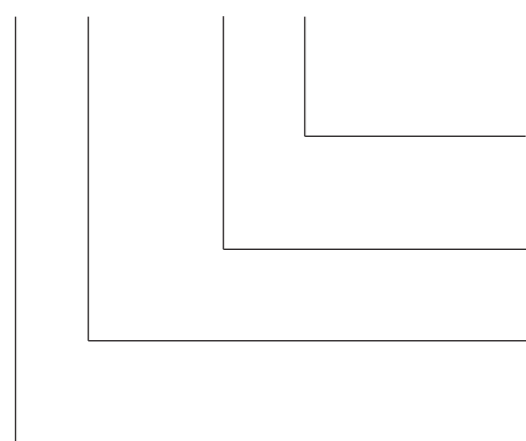
3.

3. Hub

0.01mm

Nomenclature

SYP 250 / 190 J



inch

inch)

Instructions

1).

2).

3).

4).

5).

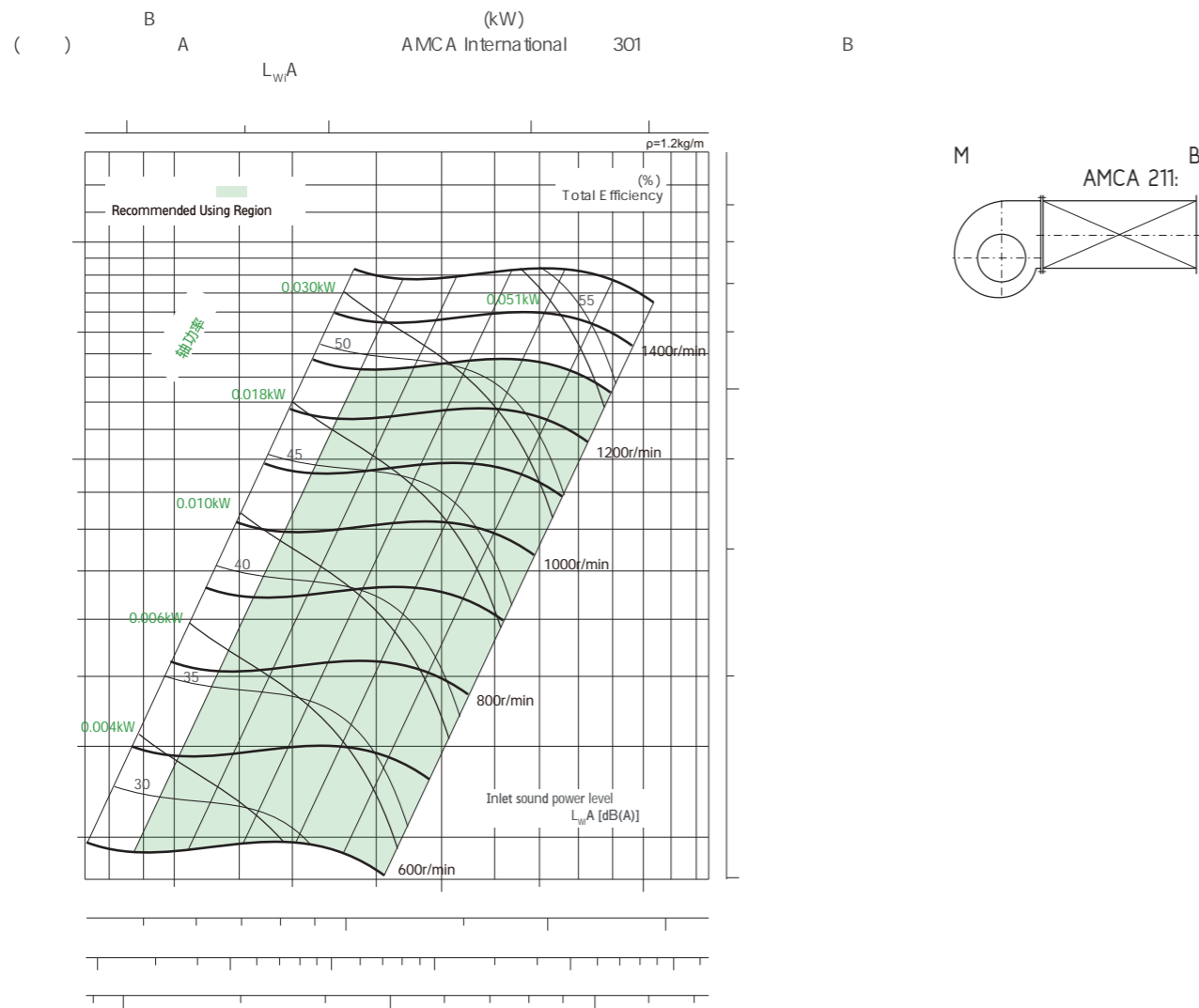
6).

Product Features

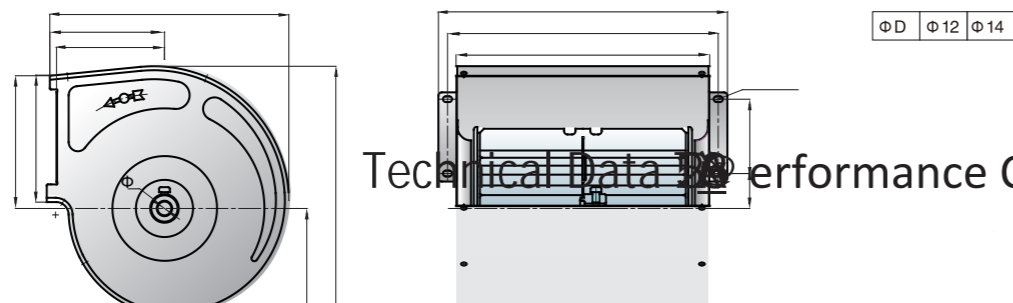
Technical Data

W	D = 145	F	= 1.01
M	J = 0.002 k	S	= 1300 /

Performance Curves



Overall Size



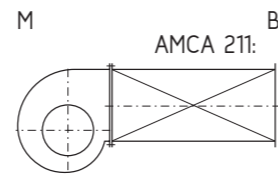
Technical Data Performance Curves Overall Size

Technical Data

W	D = 160	F	= 1.27
M	J = 0.003 k	S	= 1300 /

Performance Curves

() B A L_{wr}A (kW) AMCA International 301 B



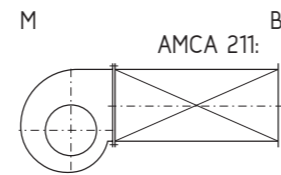
Overall Size

Technical Data

W	D = 180	F	= 1.65
M	J = 0.006 k	S	= 1400 /

Performance Curves

() B A L_{wr}A (kW) AMCA International 301 B



Overall Size

--	--	--

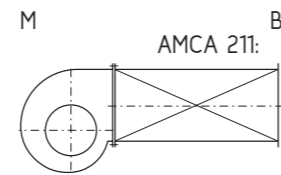
Technical Data

Performance Curves

Overall Size

Technical Data

Performance Curves



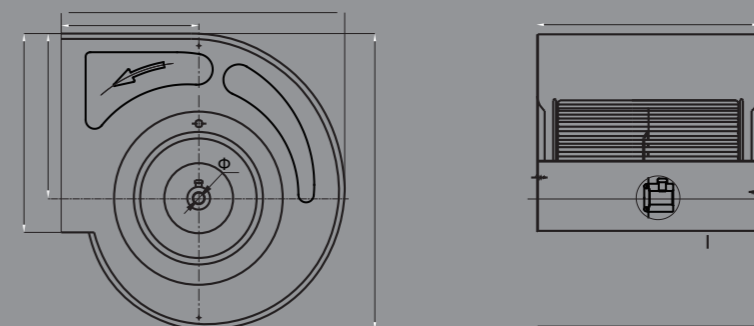
Overall Size

SYP250/190-1

The SYP Series Centrifugal Fan

SYP250/250

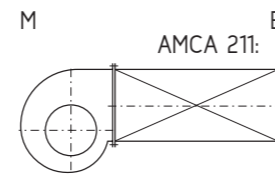
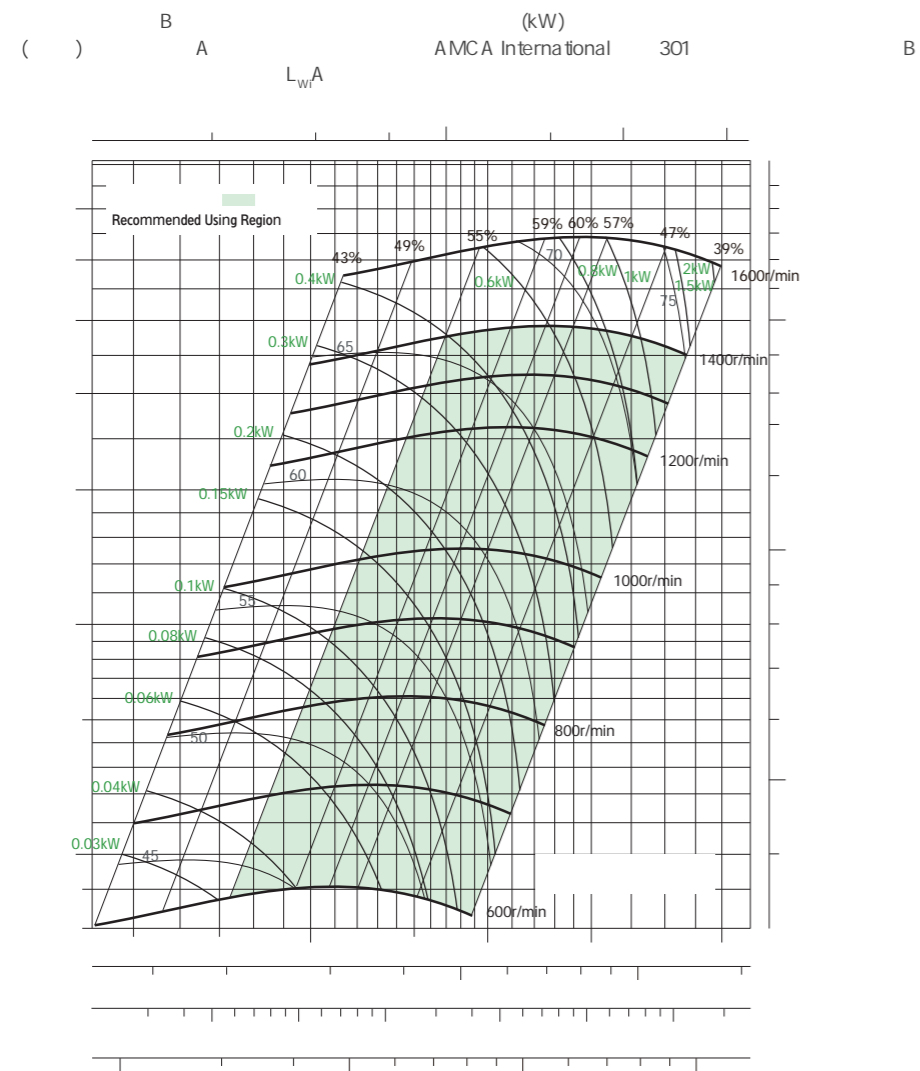
The SYP Series Centrifugal Fan



Technical Data

W	D = 250	F	= 4.29
M	J = 0.018 k	S	= 1400 /

Performance Curves

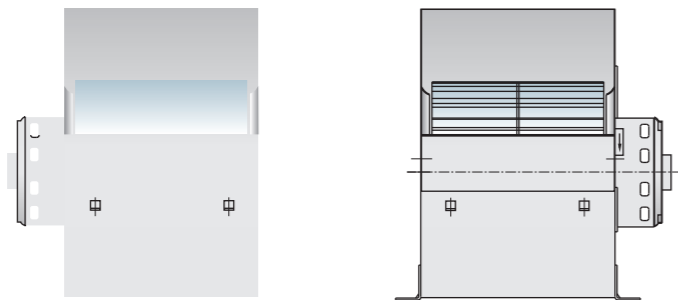
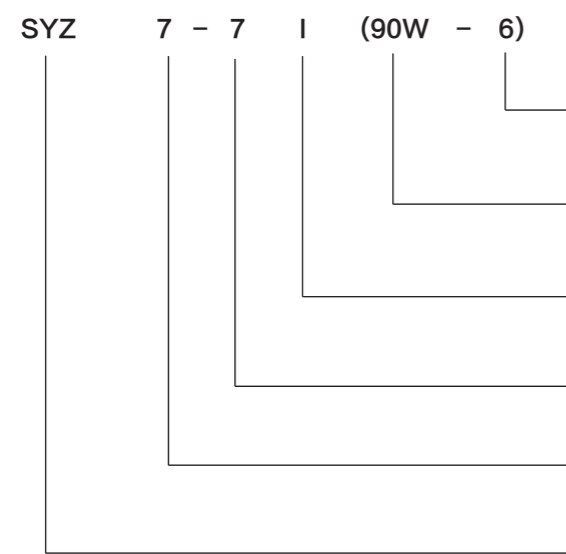


Overall Size

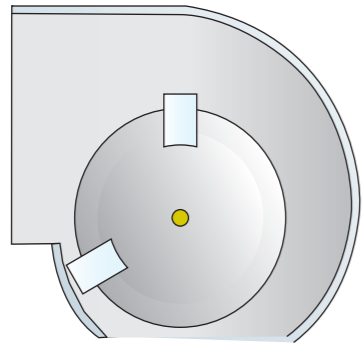
ΦD Φ12.7Φ15

Summary

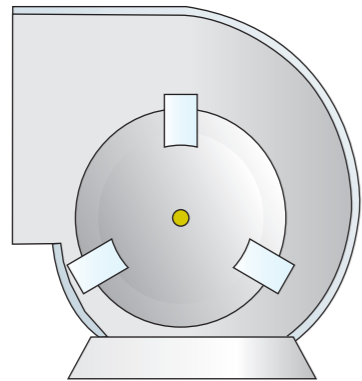
Nomenclature



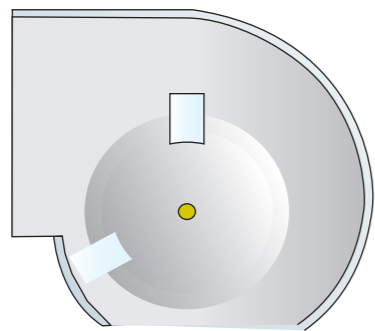








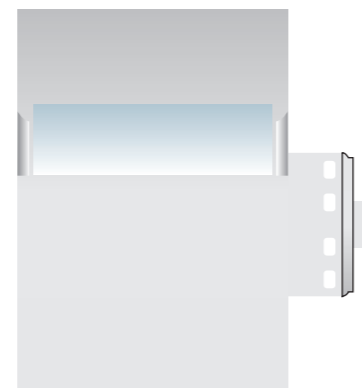
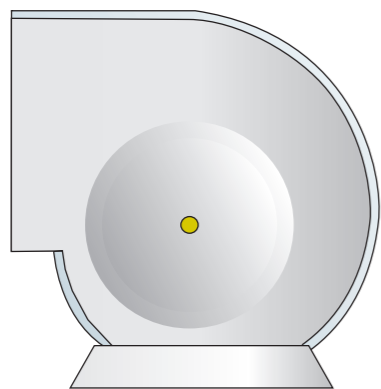


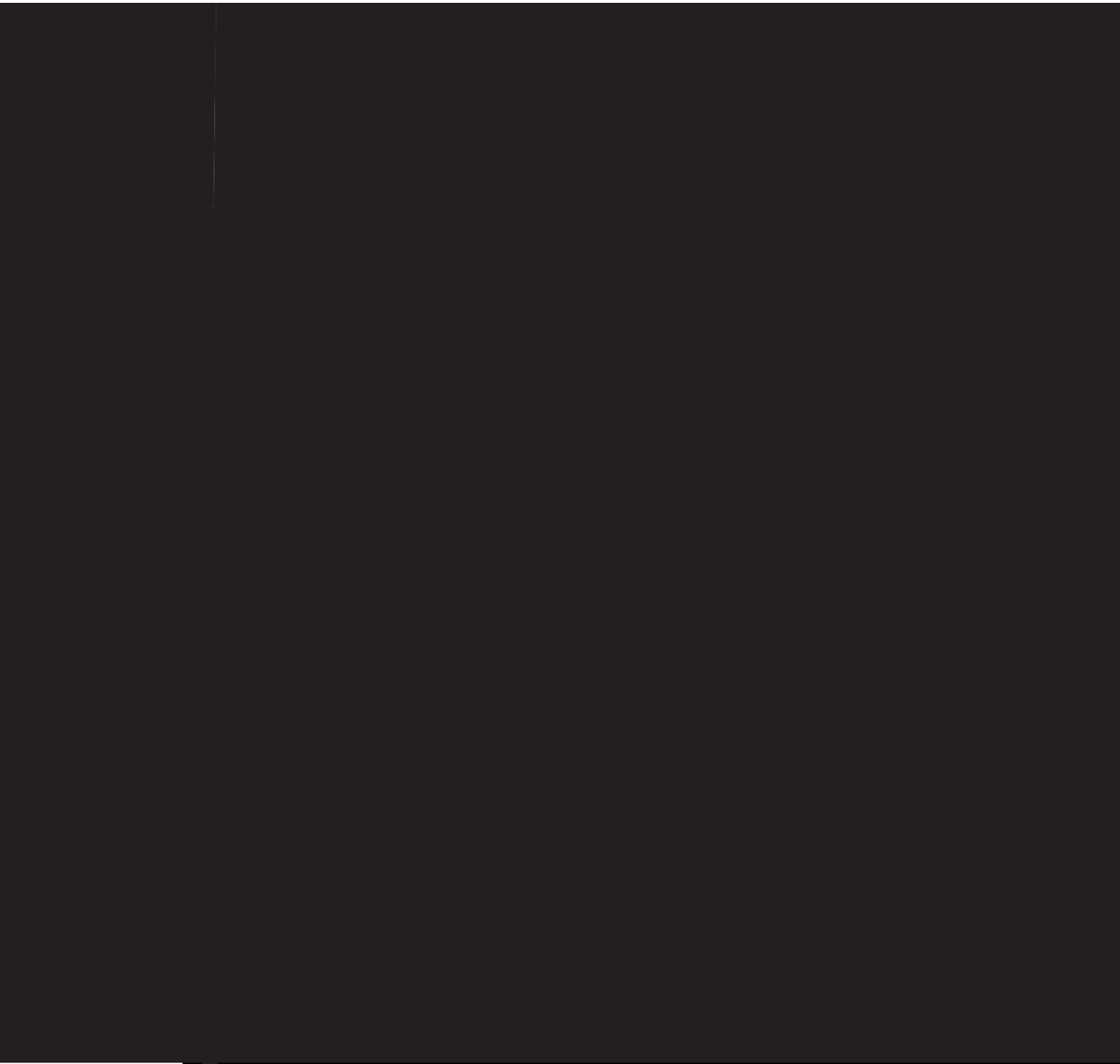


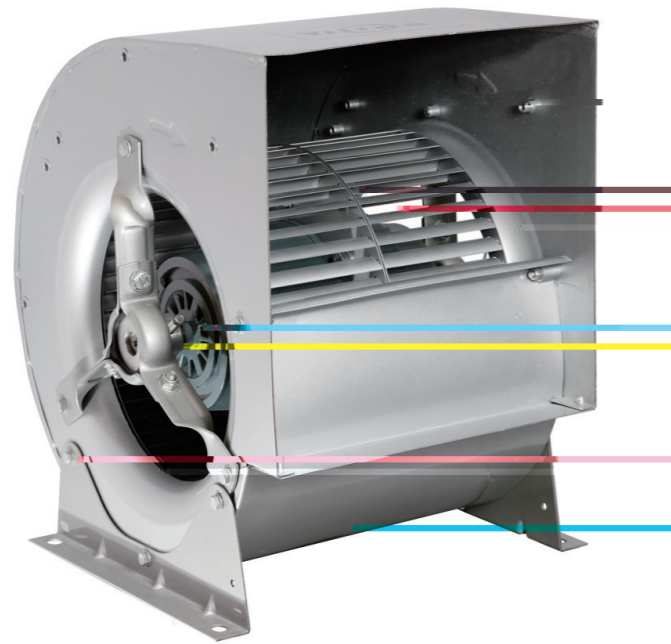
SYZ 10-10 II 375w-6

SYZ 10-10 II 450w-6

Type: SYZ 10-10 II	m: 17.25 kg	P _N : 450W- 6P
	U: 220 v	f _i : 50HZ
	I _N : 3.7 A	IP: IP20
C		



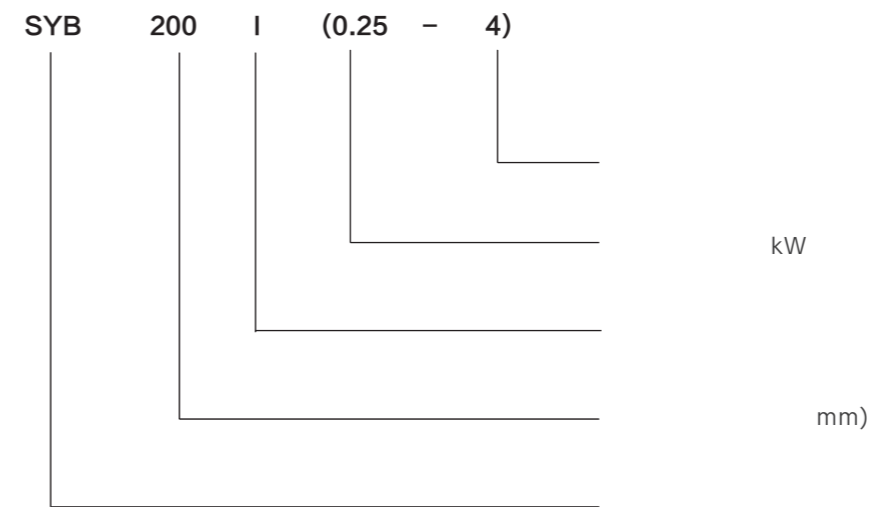




Summary

SYB	1000m ³ /h~20000m ³ /h		
200Pa~850Pa		3	3
VAV			

Nomenclature



Product Features

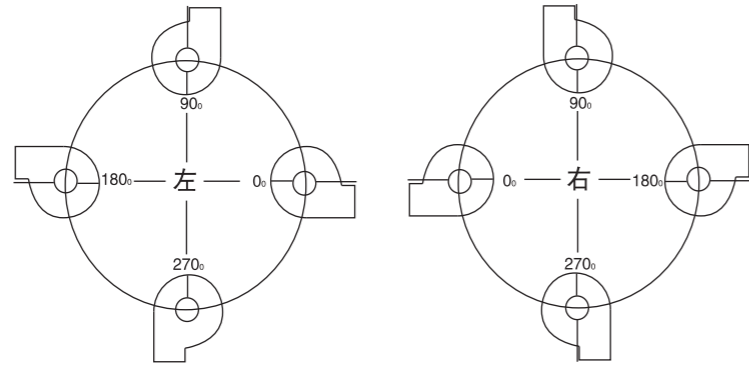
1. Rotation Direction

SYB	LG	RG
-----	----	----

2. Discharge Direction

SYB 1 0° 90° 180° 270°

1 Fig 1



Construction of Product

SYB

1.

1. Housing

2.

2. Wheel

(ANSI/MCA - 204)

G2.5

3.

3. Frame

SYB315

4.

4. Motor

SYB

SYB

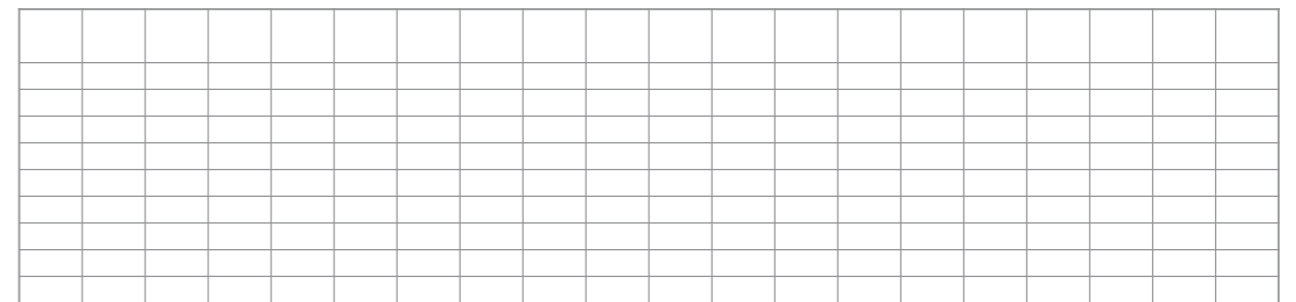
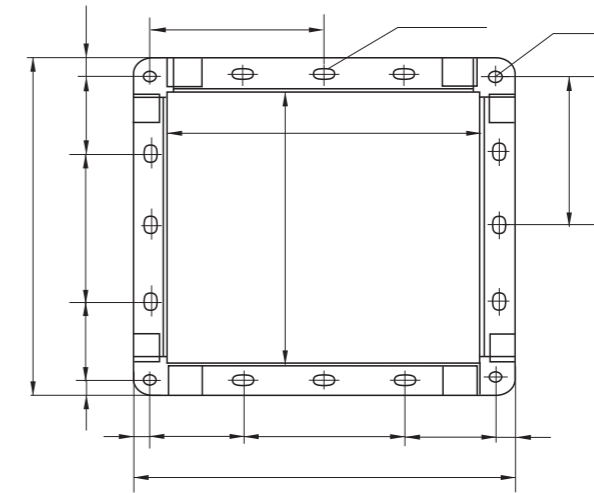
5.

5. Flange

TOX

2

2 Fig 2



mm

Instructions

- 1).
- 2).
- 3).
- 4).
- 5).
- 6).
- 7).
- 8).

Technical Data

SYB200 I 0.18kW-4P

SYB200 I 0.18kW-6P

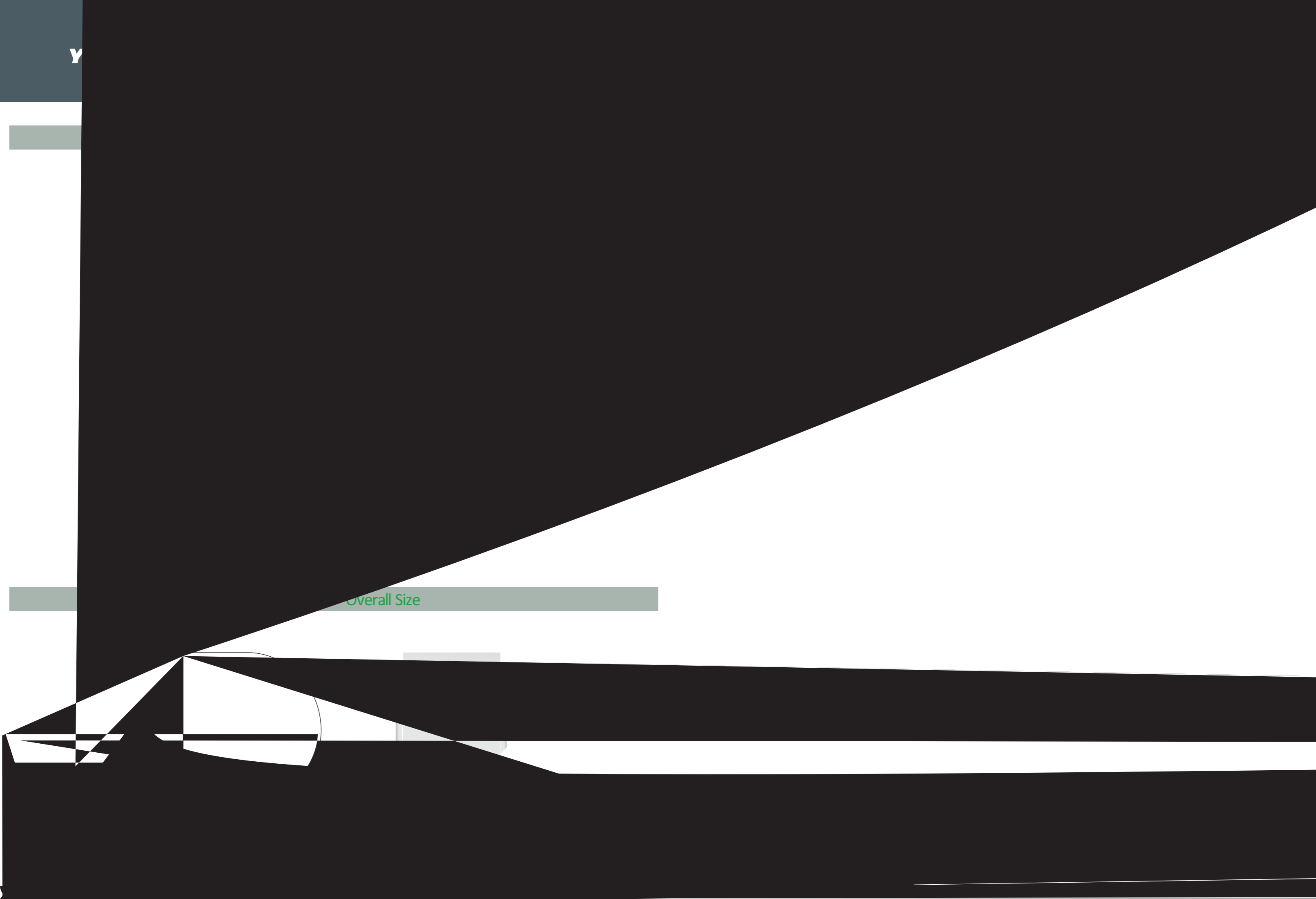
Type: SYB200 I	m: 15 kg	P _N : 0.18kW- 4P
	U: 380 v	f ₁ : 50HZ
	I _N : 0.56 A	IP: IP44

Type: SYB200 I	m: 15 kg	P _N : 0.18kW- 6P
	U: 380 v	f ₁ : 50HZ
	I _N : 0.79 A	IP: IP44

Overall Size

Y

Overall Size

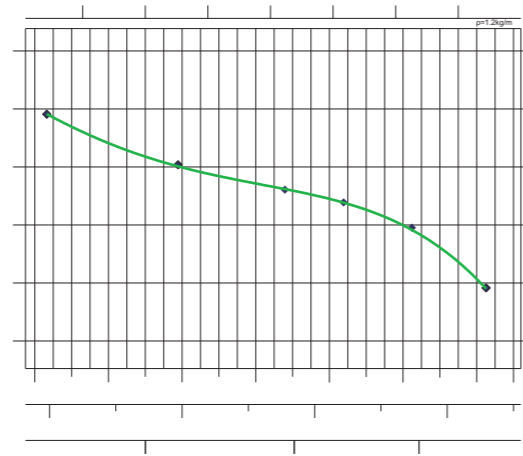
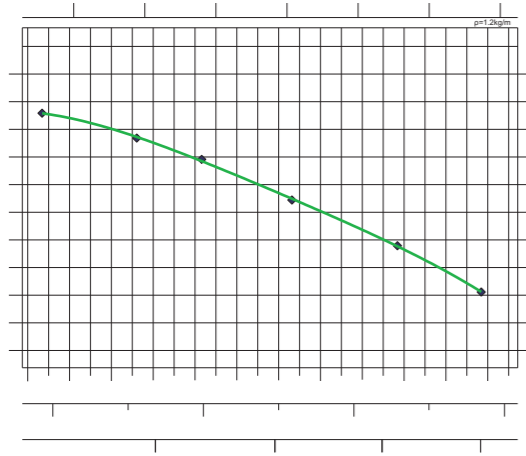


Technical Data

Technical Data

SYB225 III 0.37kW-6P

SYB225 III 0.45kW-4P

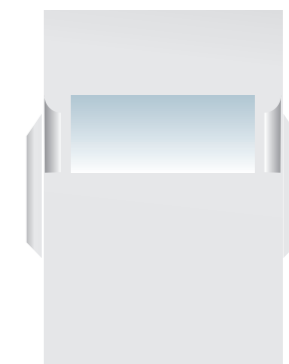
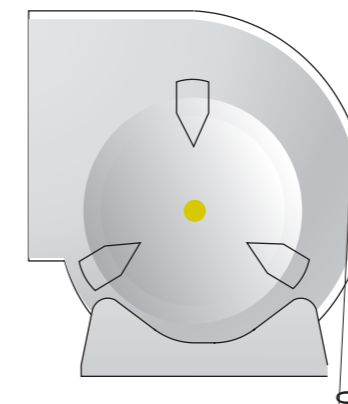
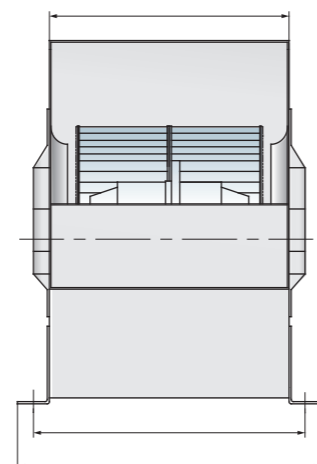
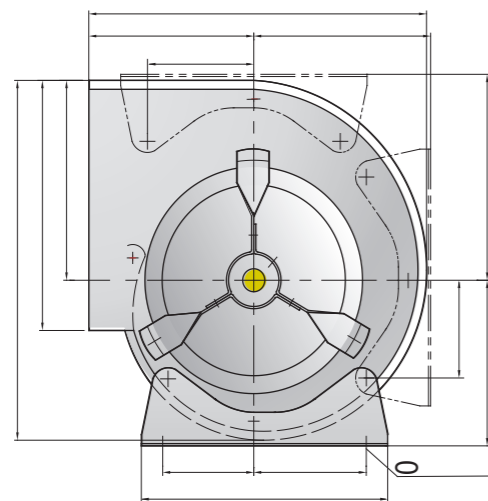


Type: SYB225 III	m: 18.4 kg	P _N : 0.37kW- 6P
	U: 380 v	f _i : 50HZ
	I _N : 1.37 A	IP: IP44

Type: SYB225 III	m: 18.35 kg	P _N : 0.45kW- 4P
	U: 380 v	f _i : 50HZ
	I _N : 1.44 A	IP: IP44

Overall Size

Overall Size





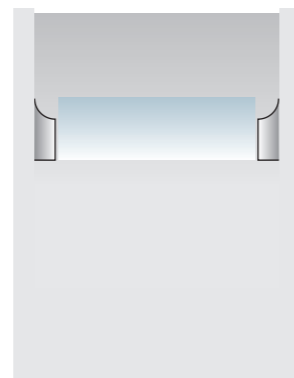
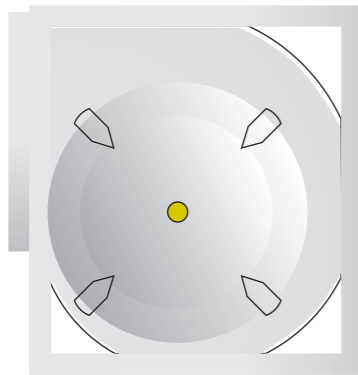
Technical Data

SYB315 I 0.8kW-6P

SYB315 I 0.8kW-8P

Type:	[T43.8 kg	0.8kW- 8P
SYB315 I	380 v	
	2.69 A	IP44

Overall Size



SYB315 II42 kg P N:IP: f₁ 50 Hz
N: 1.8KW - 4P
380 v
1.7 A Type: IP44

SYB 355 II

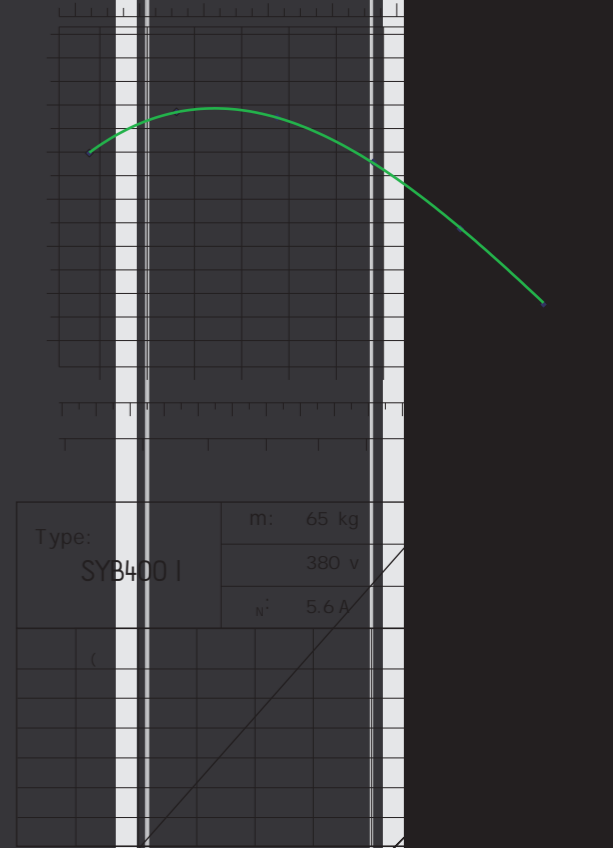
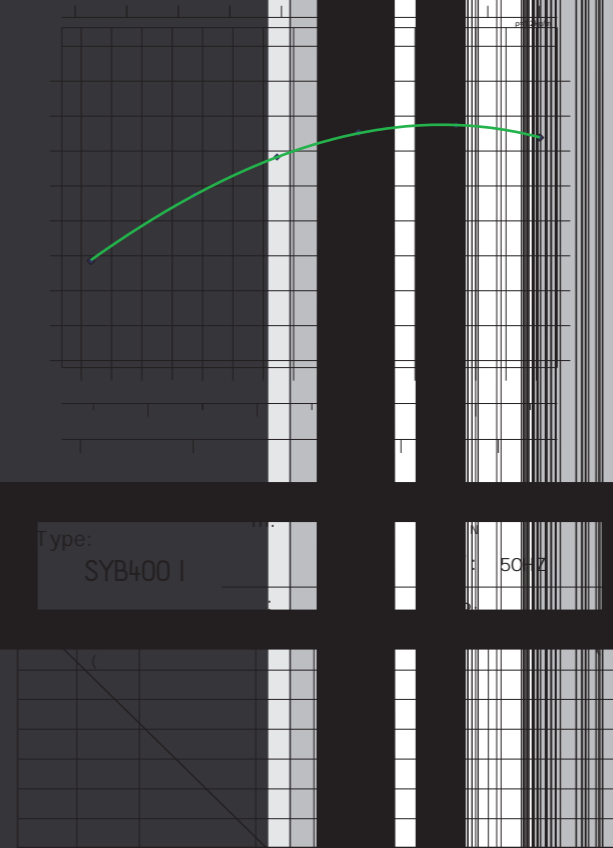
SYB 400 I

The SYB Series Centrifugal Fan

SYB400 I 1.8kW-6P

T

SYB400 I 2.2kW-6P



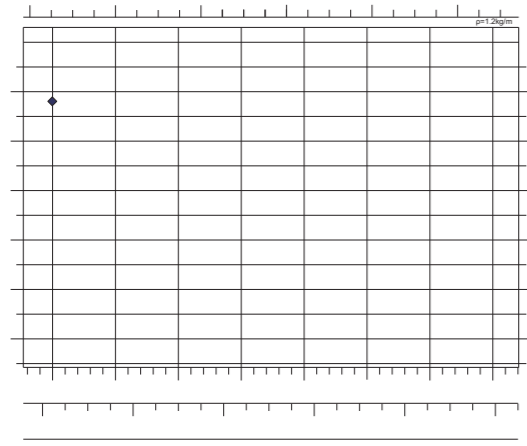
Type:	SYB400 I	50 Hz
-------	----------	-------

Type:	SYB400 I	m: 65 kg
		380 V
		5.6 A

O

Technical Data

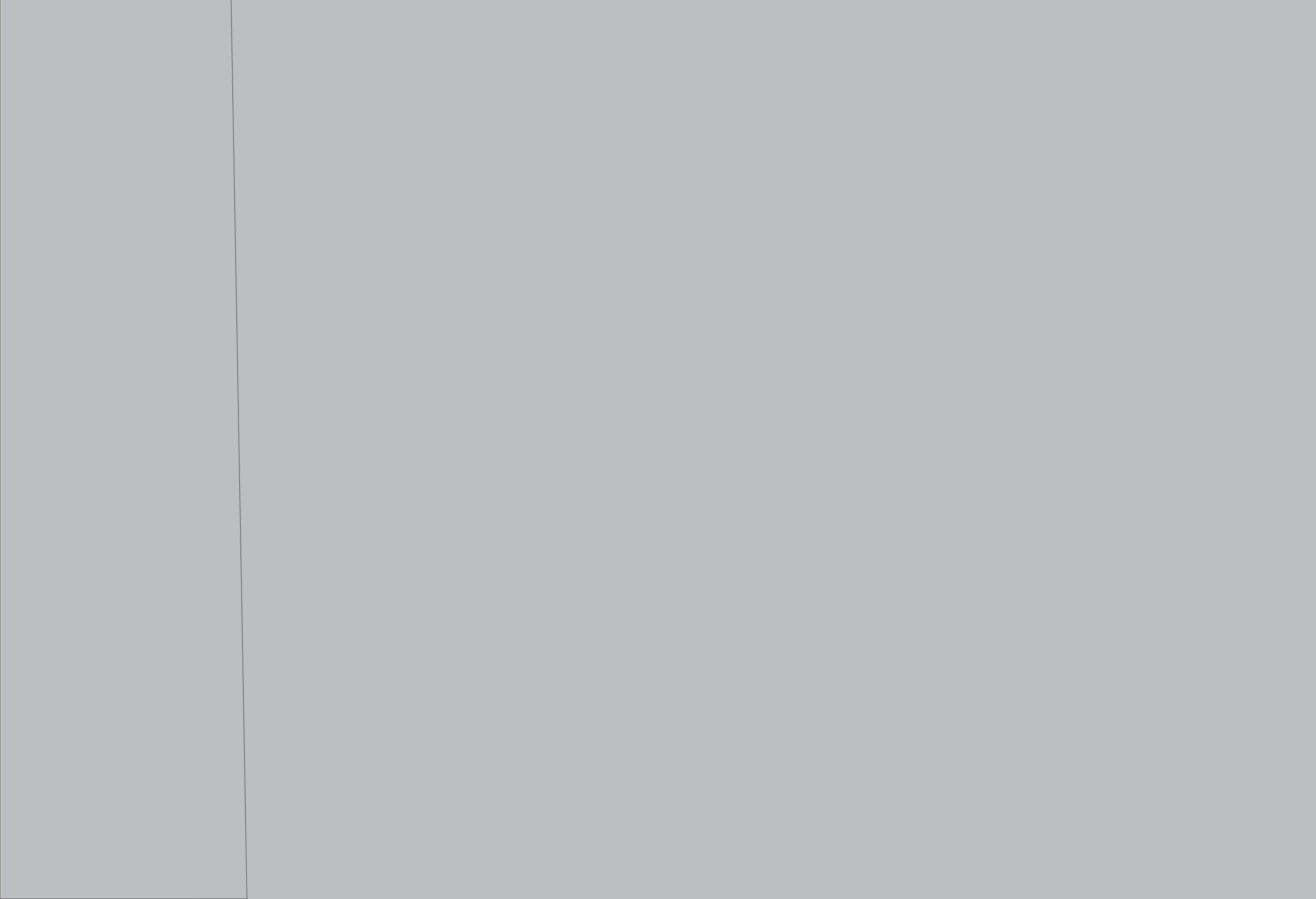
SYB450 I 4kW-6P



Type: SYB450 I	m: 96 kg	P _N : 4kW- 6P
	U: 380 v	f _i : 50HZ
	I _N : 9.9 A	IP: IP44

Overall Size



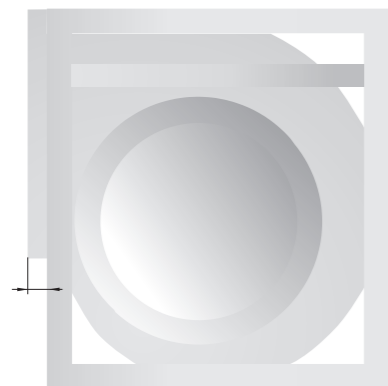


Technical Data

SYB500 I 7.5kW-6P

SYB500 I	135 kg	7.5kW - 6P
	380 v	

Overall Size

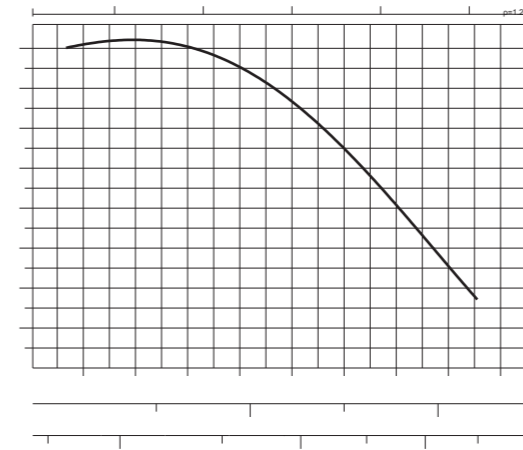


Instructions

- 1).
- 2).
- 3).
- 4).
- 5).
- 6).
- 7).
- 8).

Technical Data

SYBS 200E



SYBS 200D

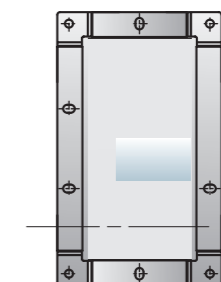
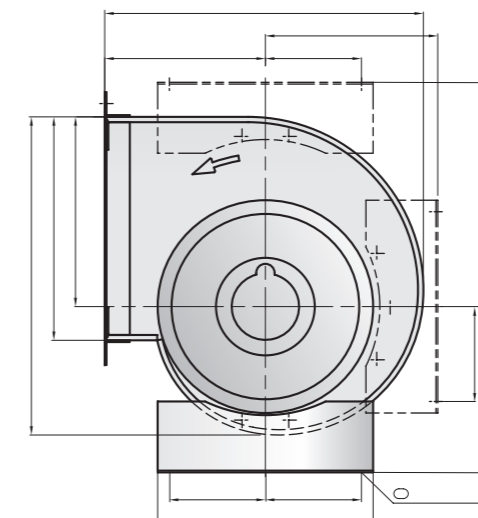


SYBS 200E-4		

SYBS 200D-4		

Overall Size

mm

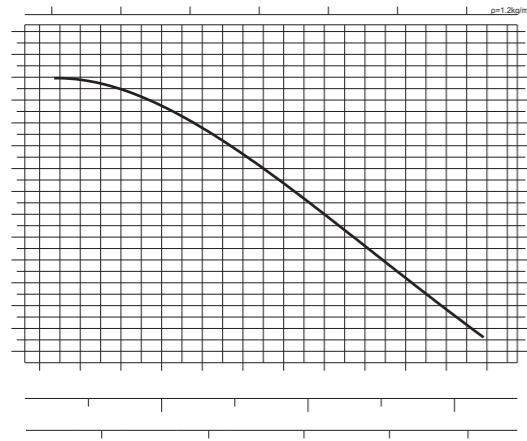


Δ



Technical Data

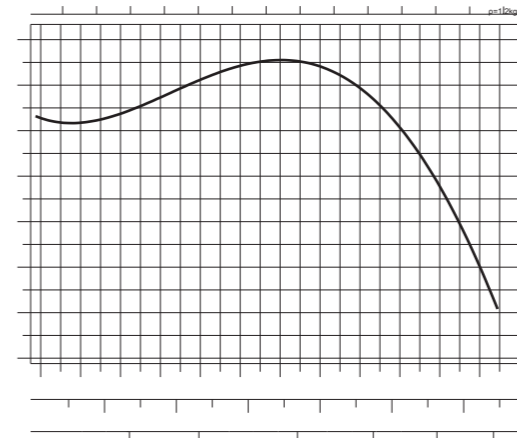
SYBS 280D



SYBS 280D-4		

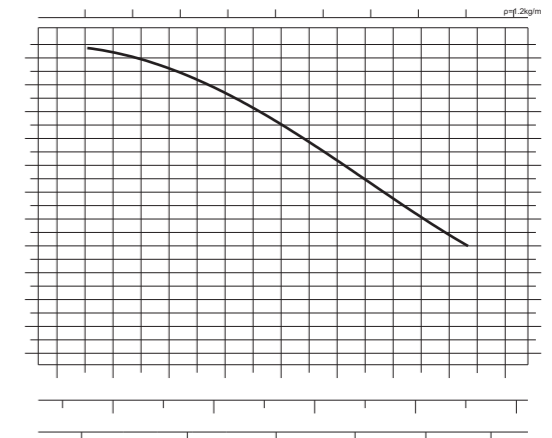
Technical Data

SYBS 315E



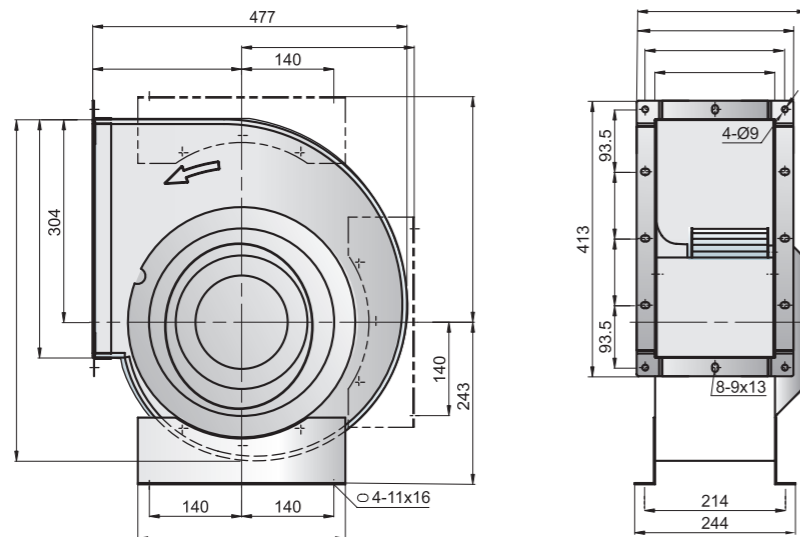
SYBS 315E-6		

SYBS 315D

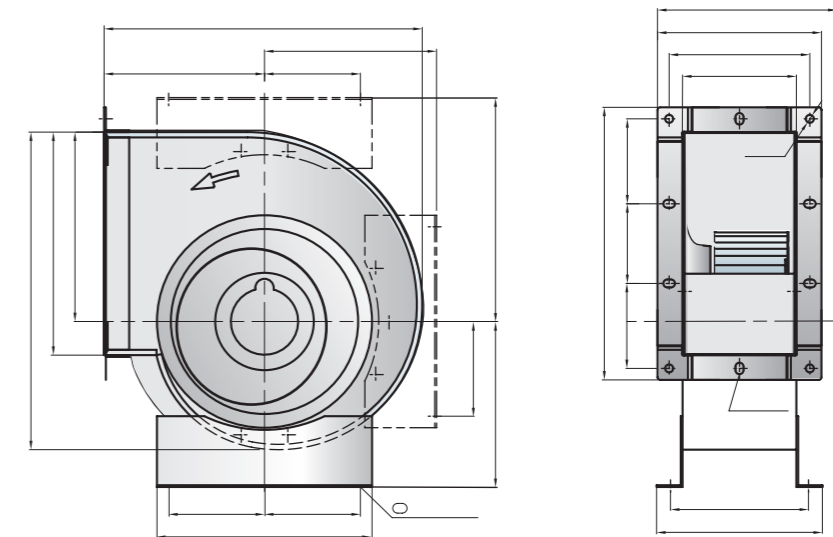


SYBS 315D-6		

Overall Size

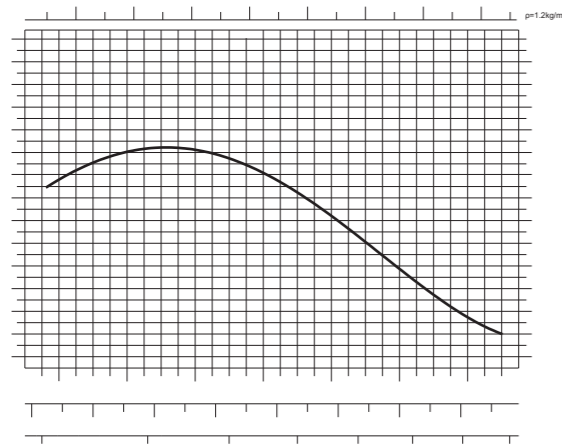


Overall Size



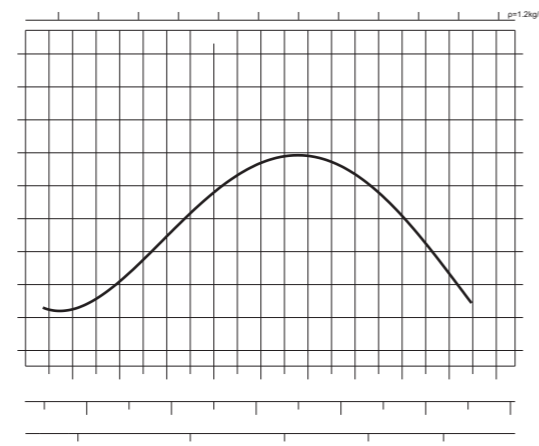
Technical Data

SYBS 355D



SYBS 355D-6		

SYBS 355D



SYBS 355D-4		

Overall Size

